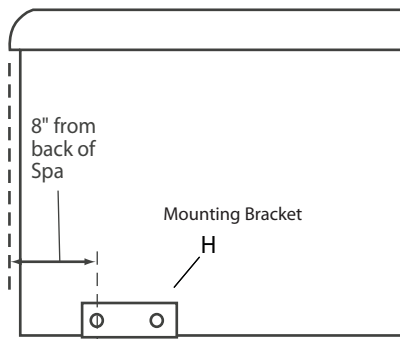


**Figure 1**



**Step #1**

Position the spa cover (in closed position) on the spa, making sure that all four corners are properly positioned and square on the spa.

**Step #2**

Slide the Mounting Brackets under the spa (see Fig. 1). **Note: Be sure to use the pivot hole closest to the back of the spa.**

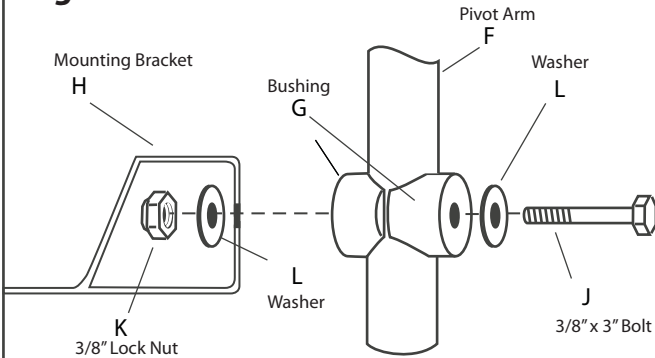
**Step #3**

Connect the Pivot Arms to the Mounting Brackets (see Fig. 2). After the Pivot Arms are connected, tilt them back into the upright position.

**Step #4**

Insert the long end of the Support Arms into the Coupler Piece. Then slide the Support Arms into the Pivot Arms (see Fig. 3). **Note: The Upper Support Arm is the longer of the two Support Arms.** Next, insert the Lower Support Arms into the remaining end of the Pivot Arms (see Fig. 3).

**Figure 2**



**Step #5**

Lay the Covermate on the spa cover. Adjust and center the Upper Coupler Piece and Support Arms so that the Coupler Piece is lying parallel to the spa cover's hinge, about 1/2" away (see Fig. 4). Using the #10 self tapping screws, fasten the Support Arms to the Pivot Arms and the Coupler Piece. **Note: Be sure to rotate the Coupler Piece so that the inserted screws are at a horizontal angle with the heads facing the back of the spa.** Repeat this procedure for the Lower Support Arms.

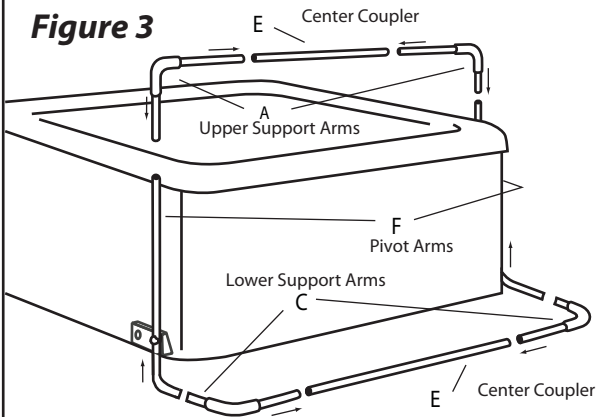
**Step #6**

Slip the black hand grips to the edge of the spa cover and snap the Small Black Dome Caps on the heads of all exposed #10 screw heads.

**Step #7**

Attach the provided 3 hook TowelMate on the preferred side of your Covermate, by simply snapping it into place and inserting the middle self tapping screw (see Fig. 5).

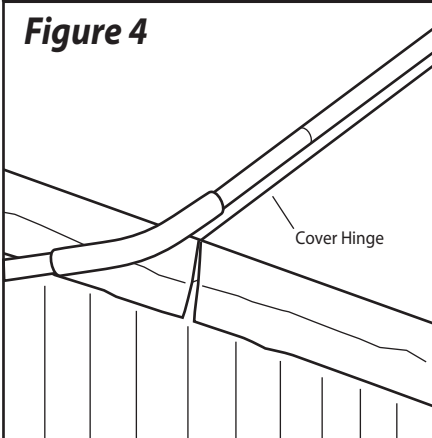
**Figure 3**



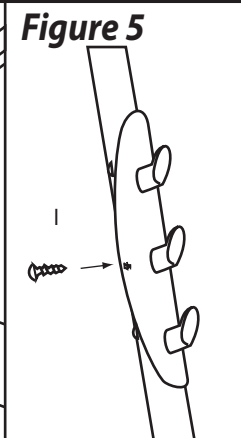
**CAUTION!**

Do not use the Covermate in high wind condition. Injury from the spa cover being blown over and impacting the spa user can occur.

**Figure 4**



**Figure 5**



ITEM	PART#	DESCRIPTION	QTY
A	100001	CMII SUPPORT ARM - UPPER	2
B	100002	FOAM GRIP 8"	2
C	100037	CMII SUPPORT ARM - LOWER	2
D	100149	FOAM GRIP 10"	2
E	100003	CENTER COUPLER	2
F	100271	PIVOT ARM	2
G	100344	BUSHING	4
H	100553	CMII UNDERSTYLE BRACKET	2
I	100008	TOWELMATE	1
J	100010	3/8 X 3" HEX CAP BOLT	2
K	100011	3/8 NYLON LOCKNUT	2
L	100012	3/8 FLAT WASHER	4
M	100013	#10 X 5/8" SELF TAPPING SCREWS	24
N	100015	LARGE PLASTIC DOME CAP	2
O	100016	SMALL PLASTIC DOME CAP	24